

Parts List

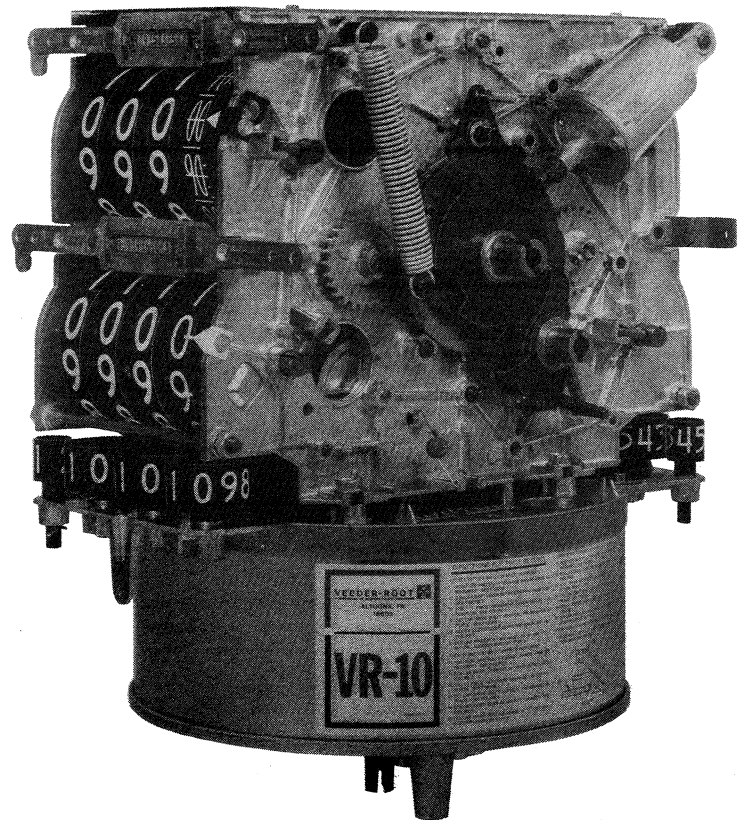
MODEL
VR-10 & 10/4
COMPUTER
4 WHEEL
(4:1 Ratio)

Technical Manual

Issued: 10/95

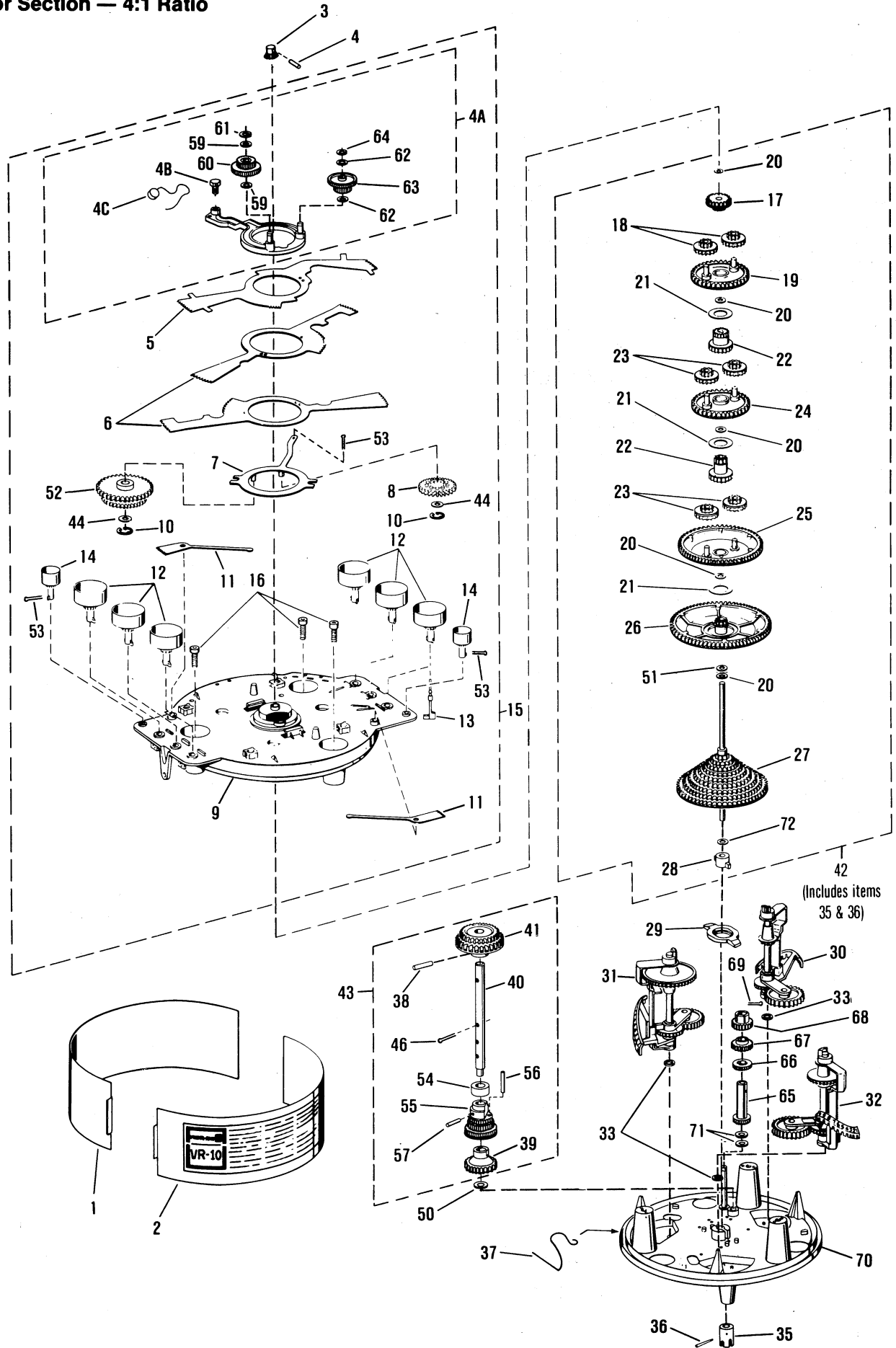
No. 251946

Rev. A



VEEDER-ROOT 
Petroleum Products

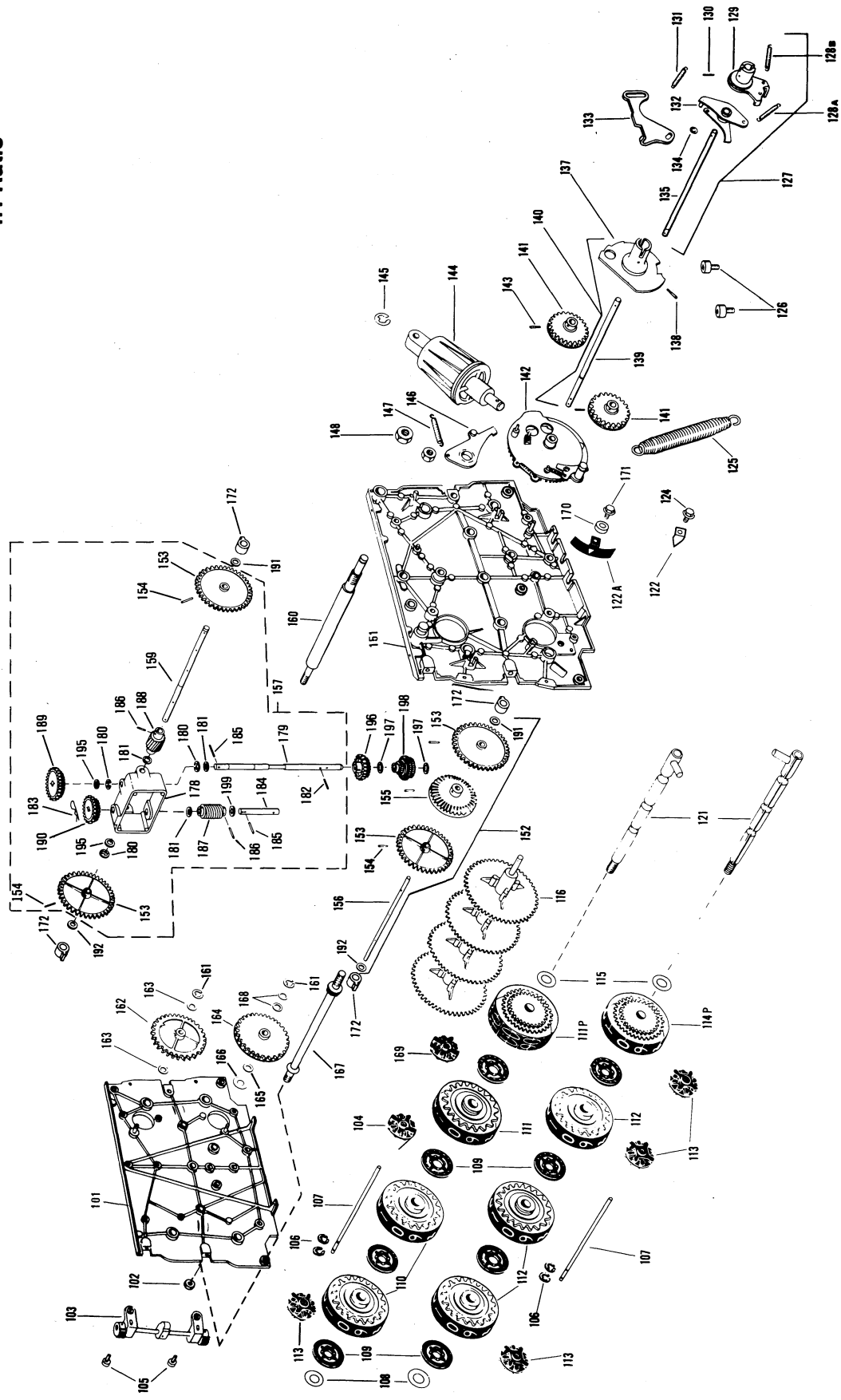
Variator Section — 4:1 Ratio



4:1 Ratio

ITEM NO.	U.S. PART NO.	U.K. PART NO.	DESCRIPTION	QUANTITY
1	313934-010	2071-087	Sliding Band	1
2	G326811-009		Printed Door Group (VR-10)	1
	326811-010		Printed Door Group (VR-10/4)	1
3	325444-001	3071-549	Gallon Bevel Pinion	1
4	510139-001	4606-015	Groove Pin	1
4A	G327768-001		Shift Lever Group (Includes 59 thru 64)	1
4B	503352-001		Screw - 1/4" -20 x 3/4" Hex. HD. W / Hole	1
4C	513600-005	7779-806	Seal & Seal Wire	1
5	313944-010	3571-027	Link Gear - Price	1
6	313943-010	3571-095	Link Gear - Price	2
7	G326213-001	326213-001	Price Link Group	1
8	G326217-001	326217-001	Idle Gear Group - \$1	1
9	G326222-001		Upper Base Group	1
10	511810-001	4010-014	Retaining Ring	2
11	325449-001		Lever Dollar Price Indicator	2
12	313935-042	7771-906	1/10¢, 1¢ & 10¢ Price Wheel Group (Includes 13)	6
13	317028-001	4571-050	Detent	6
14	325555-006	6571-207	Wheel Character Display (Figs. 1 thru 5)	2
15	326223-006	7779-973	Base Group - Gear & Wheel (Whole Nos.) (Includes 4A thru 14, 44, 52, 53, 59 thru 64)	1
16	510500-326	5471-177	Screw	3
17	G325477-001	7779-726	Final Drive Compound Gear	1
18	325439-001	3071-541	Spider Gear	2
19	G325462-001		Spider Gear Group	1
20	74800-157	6104-023	Washer (.010" x .250" ID x .405" OD)	5
21	885005-906	6171-204	Washer	3
22	325460-001	7779-715	Intermediate Gear Group	2
23	313963-010	3071-148	Planetary Gear	4
24	325454-001		Gear Group	1
25	G313966-010	7771-905	Gear Group Integrator 1¢	1
26	G326927-001		Gear Group Integrator 1/10¢	1
27	G313968-014	7779-718	Cone Gear Group	1
28	313980-011	1171-092	Bushing - Keyed	1
29	313983-010	4571-049	Pawl - No Back	1
30	G313948-010	7771-899	1/10 Cent Range Arm Group	1
31	G325466-001	G325466-001	10 Cent Range Arm Group	1
32	G325468-001	G325468-001	1¢ Range Arm Group	1
33	11071-735	6104-092	Washer	3
35	313985-011	2401-022	Coupling	1
36	510122-002	4606-013	Groove Pin 3/32" x 9/16"	1
37	325162-001		Retainer - 10¢ Range Arm	1
38	510109-001	4606-042	Groove Pin	1
39	326899-001	3071-759	Gear Dollar Drive	1
40	326902-001		Shaft Dollar Drive	1
41	326220-001		Compound Spur Gear	1
42	G325438-002		Cone Gear Diff. Group (Includes Items 35 & 36)	1
43	G326227-003		Shaft Group - Dollar Drive	1
44	11071-325	601-748	Washer	2
46	510300-106	4611-002	Cotter Pin	1
50	885005-945		Washer	1
51	885005-950		Washer	1
52	G326219-001	7779-978	Compound Gear Group	1
53	510300-104	4611-006	Cotter Pin	1
54	327797-001		Spacer	1
55	327481-001		Gear - Compound	1
56	511510-218		Pin - Dowel	1
57	510112-001	4606-014	Pin - Groove	1
59	11071-325	601-748	Washer	2
60	327563-001		Gear - 1/10¢ Idler	1
61	511810-001	4010-014	Ring - Retaining	1
62	11071-321	6171-017	Washer	2
63	327562-001	327562-001	Gear-1 Idler	1
64	511807-001	4010-007	Ring - Retaining	1
65	327422-001		Gear - 14 Tooth (Green)	1
66	327423-001		Gear - 21 Tooth (White)	1
67	327424-001		Gear - 28 Tooth (Red)	1
68	327425-001		Gear - 35 Tooth (Black)	1
69	510300-104	4611-006	Cotter Pin	1
70	325455-003		Lower Base Group	1
71	11071-147	11071-147	Washer	1
72	74800-252	6104-211	Washer (.020" Thick)	1

**Counter Section
Front (Totalizer) Side
Two-Handle Control
4:1 Ratio**

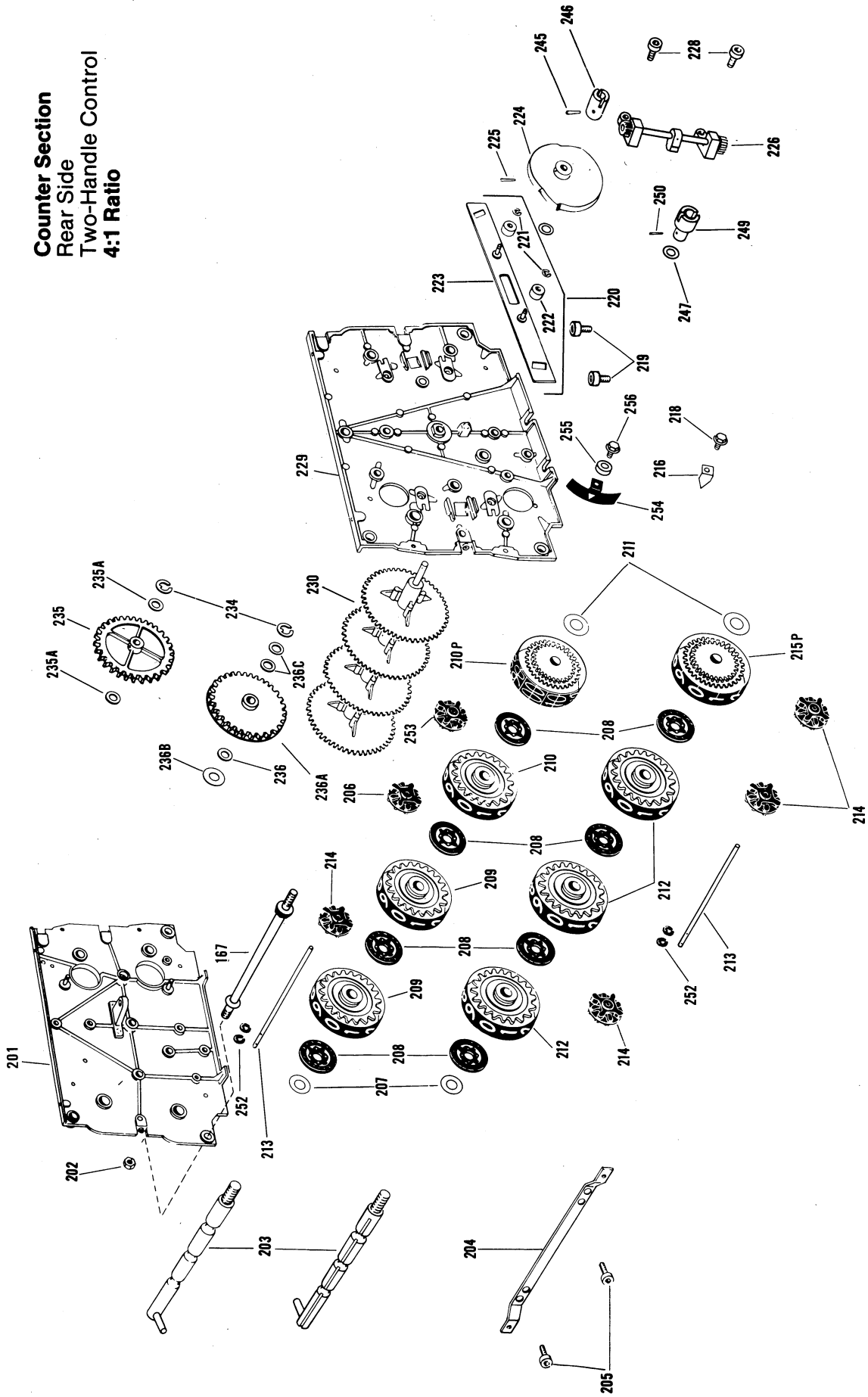


ITEM NO.	U.S. PART NO.	U.K. PART NO.	DESCRIPTION	QUANTITY
101	See Item 229		Left Hand Frame	1
102	511000-245		Tie Rod Nut, 1/4" .28 W/Lockwasher	3
103	77062-015	7130-004	Rocker Shaft Assy.	1
104	73154-016	4371-021	Pinion (VR-10)	1
	325494-001		Pinion (VR-10/4)	1
105	510500-328	5471-175	Screw	2
106	511807-001	4014-007	Retaining Ring	4
107	329409-001	5573-126	Pinion Shaft	2
108	74800-167		Washer .020"	As Req.
	74800-201		Washer .010"	As Req.
	6104-088		Washer .015"	As Req.
	74800-203		Washer .025"	As Req.
	74800-205		Washer .030"	As Req.
	74800-207		Washer .035"	As Req.
	74800-209		Washer .005"	As Req.
109	895005-793	7188-002	Reset Disc Pinion Group	8
110	77481-006	7900-304	Rev. Mid. & Left Money Wheel (VR-10)	3
	315457-001		Rev. Mid. & Left Money Wheel (VR-10/4)	2
111	315457-017		Rev. 2nd Money Wheel (VR-10)	0
			Rev. 2nd Money Wheel (VR-10/4)	1
111P	327587-001		Rev. Right Hand Money Wheel (VR-10)	1
	327668-001		Rev. Right Hand Money Wheel (VR-10/4)	1
112	315457-002	7650-304	Rev. Mid. & Left Quant. Wheel	3
113	73154-016	4371-021	Pinion	6
114P	327587-003		Rev. Right Hand Quant. Wheel	3
	74800-201		Washer	4
115	310763-110	6104-087	Rev. Reset Gear Group	1
116	77070-015	7771-370	Rev. Wheel Shaft	2
121	33620-082	7778-037	Pointer (White) Quantity	1
122	327532-001	4018-008	Pointer - Money Fr Dom. (VR-10) Blk. Plast.	1
122A	326765-001		Pointer - Money Fr Dom. (VR-10/4) Blk. Plast.	1
	33620-082		Pointer - Money Front Exp. (Metal White)	1
124	510500-330	5405-026	Pointer Screw	1
125	14427-598	5202-090	Reset Spring	1
126	510500-325	5471-419	Screw	2
	405471-416	5471-416	Screw With Hole Thru Head	2
127	78497-030	7778-747	Trip Lever Reset Assy. (Includes 128A-135)	1
128A	14427-673	5202-073	Trip Lever Spring (Light)	1
128B	14427-714	5202-076	Trip Lever Spring (Heavy)	1
129	77803-010	7181-002	Trip Lever Reset Group	1
130	510125-001	4606-029	Groove Pin 3/32" x 1 1/16"	1
131	14427-614	5202-071	Stop Pawl Spring	1
132	77034-010	77034-010	Stop Pawl Hub Assy.	1
133	77830-012	4506-004	Trip Lever Lock Pawl	1
134	511807-001	4010-007	Retaining Ring	1
135	76855-020	5522-038	Trip Lever Shaft	1
137	86665-005	7031-010	Shaft Cam	1
138	510105-178	4606-038	Groove Pin 1/8" x 1 1/16"	1
139	86661-010	5571-113	Center Shaft	1
140	86689-010	7771-251	Center Shaft Assy. (Includes 137-139)	1
141	76751-005	3006-116	Reset Driven Gear	2
142	86672-006		Reset Driven Gear Assy.	1
	310300-257	5202-080	Reset Latch Pawl Spring	1
	310300-257	5202-080	External Spring	1
	14427-422	5206-025	Internal Spring	1
	76978-005	4606-003	Rest Latch Pawl	1
	511807-001	4010-007	Retaining Ring	1
143	510100-044	4602-020	Groove Pin 3/32" x 5/8"	1
144	77053-010	7245-000	Dash Pot Group	2
145	511819-001	4010-016	Retaining Ring	1
146	77368-005	7095-012	Ratchet Stop Pawl Group	1
147	14427-842		Ratchet Stop Pawl Spring	1
148	511000-246		Nut (Large tie rod) W/Lockwasher	1
151	322420-009		Right Hand Frame	1

ITEM NO.	U.S. PART NO.	U.K. PART NO.	DESCRIPTION	QUANTITY
152	77078-040		Lower Drive Assy. (Includes 153-156)	1
153	76765-005	3071-550	Gear	4
154	510114-001	4604-001	Groove Pin 5/64" x 9/16"	5
155	76817-005	3071-551	Lower Bevel Drive Gear	1
156	76818-030		Lower Drive Shaft Ext. 360"	1
157	* 327577-001	7780-743	Upper Drive Assy. (For 1 Transfer Wh) (VR-10)	1
	□ 327577-003		Upper Drive Assy. (For 4 Transfer Wh) (VR-10/4)	1
	◇ 327577-005		Upper Drive Shaft Ext. 360"	1
	† 327552-001		Upper Drive Shaft Ext. 360"	1
159	77005-010	6001-005	Large Tie Rod	1
160	511810-001	4010-014	Retaining Ring	2
161	76764-007	3071-830	Idle Gear Group, Money	1
162	11071-325	601-748	Washer .010"	As Req.
163	11071-791		Washer .015"	As Req.
	11071-333		Washer .020"	As Req.
164	325961-001	11071-333	Idle Gear Group, Quantity	1
165	11071-325	601-748	Washer .010"	1
166	74800-535		Washer, Bowled	1
167	27719-115	6001-004	Tie Rod	3
168	11071-325	601-748	Washer (.010")	2
169	73154-016	4371-021	Transfer Pinion	1
170	884009-199		Spacer (For Domestic Only) (VR-10)	1
	884009-185		Spacer (For VR-10/4)	1
171	510500-378		Screw - Money Pointer (Dom. for 122A)	1
	510500-330		Screw - Money Pointer Export for 122A)	1
172	884008-635	5405-026	Bushing	4
178	327559-001	1171-284	Housing Group	1
179	327551-001		Vertical Money Shaft	1
180	511810-001	4010-014	Retaining Ring	1
181	11071-479	6104-027	Washer (.031" Thick)	3
182	510157-001	4606-016	Pin - Groove	3
183	514100-275		Pin - Hitch	1
184	327557-001	7780-743	Idle Shaft	1
185	510157-001	4606-016	Pin - Groove (.062" x .375" Long)	2
186	510111-001		Pin - Groove (.078" x .437" Long)	2
187	327554-001	4606-007	Gear - Worm	1
188	327553-001		Gear - Helical	1
189	327555-001		Gear - Compound (27T & 36T) (Black)	1
190	327556-001		Gear - Compound (18T & 27T) (Natural)	1
191	11071-205	6104-166	Washer (.005" Thick)	1
192	11071-205	6104-166	Washer (.015" Thick)	2
	11071-791		Washer (.005" Thick)	As Req.
	11071-803		Washer (.010")	As Req.
	11071-325	601-148	Washer (.015")	As Req.
	11071-791	601-748	Washer (.020" Thick)	As Req.
	11071-479	6104-027	Washer (.031" Thick)	As Req.
	11071-333	6171-019	Washer (.020" Thick)	As Req.
	327561-001	3017-819	Gear - Compound (20 & 17 Teeth)	As Req.
196	74800-157	6104-023	Washer	1
197	327560-001		Gear - Compound (10, 30 & 18 Teeth)	2
198	11071-803	601-148	Washer	1
199	11071-325	601-748	Washer	As Req.
	11071-479	6104-027	Washer	As Req.
	885005-050	6104-192	Washer	As Req.
	11071-333	11071-333	Washer	As Req.

† NOTE: On Thru-Shaft Rotary Reset Computers, Upper Shaft Will Be Extended One Side Only.
 Shaft No. 327584-001.
 * NOTE: On Thru-Shaft Rotary Reset Computers, Upper Drive Shaft Group Will Be Extended One Side Only.
 Shaft Group No. G327577-002 (7780-746).
 □ NOTE: On Thru-Shaft Rotary Reset Computers, Upper Drive Shaft Group Will Be Extended One Side Only.
 Shaft Group No. G327577-004.
 ◆ NOTE: On Thru-Shaft Rotary Reset Computers, Upper Drive Shaft Group Will Be Extended One Side Only.
 Shaft Group No. G327577-013.

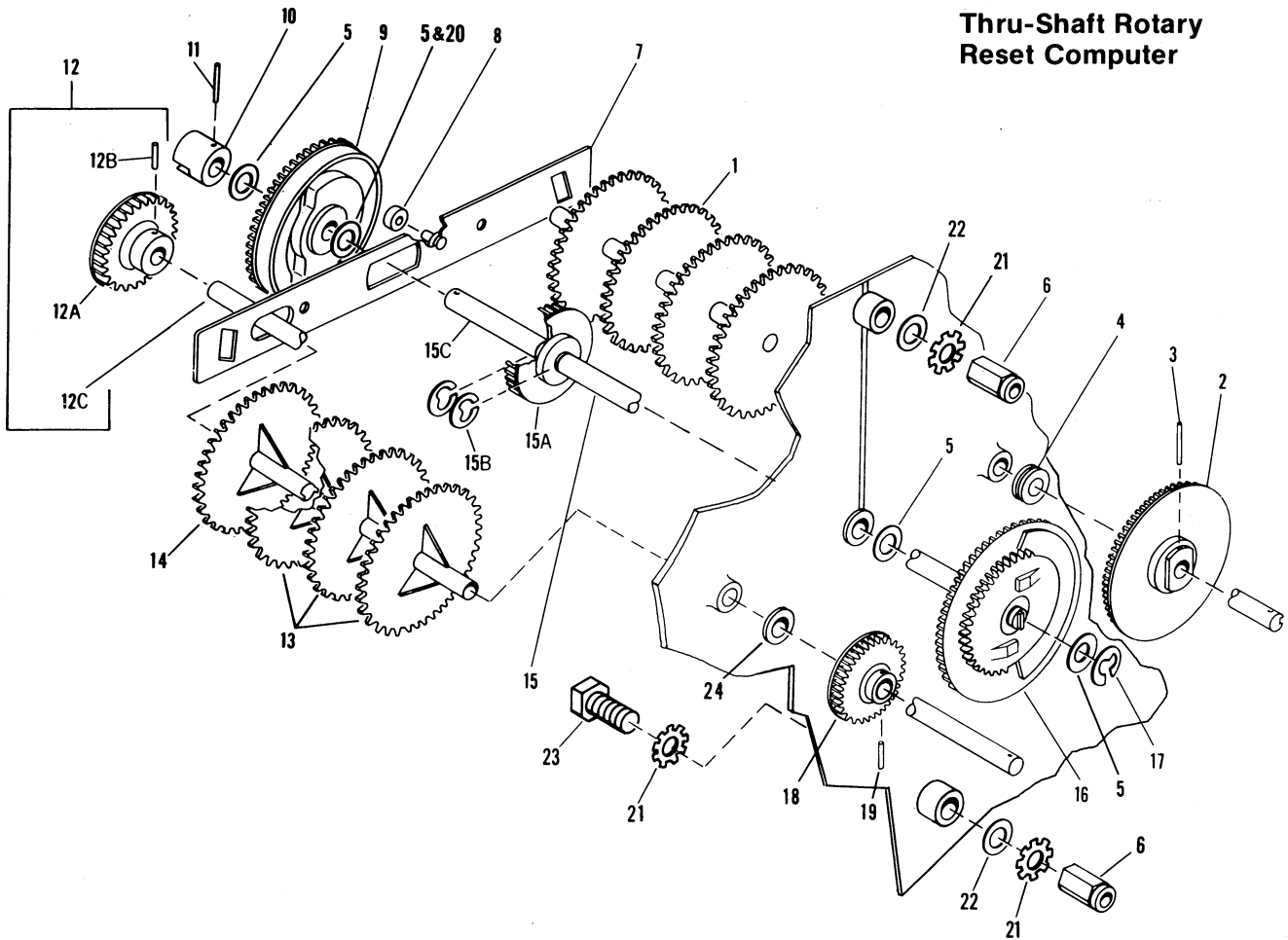
Counter Section
Rear Side
Two-Handle Control
4:1 Ratio



ITEM NO.	U.S. PART NO.	U.K. PART NO.	DESCRIPTION	QUANTITY
201	See Item 151		Right Hand Frame	1
202	511000-245		Tie Rod Nut W/Lockwasher	4
203	77070-020	7778-038	Reg. Wheel Shaft	2
204	73217-011	1308-008	Dial Bracket	1
205	510500-329	5471-176	Screw	2
206	73154-016	4371-021	Pinion (VR-10)	1
207	325494-001		Pinion (VR-10/4)	1
208	See Item 108		Reset Disc Pinion Group	8
209	77481-006	7188-002	Reg. Mid. & Left Money Wheel (VR-10)	3
	315457-003	7600-303	Reg. Mid. & Left Money Wheel (VR-10/4)	2
210	315457-018		Reg. 2nd Money Wheel (VR-10)	0
210P	327588-001		Reg. 2nd Money Wheel (VR-10/4)	1
211	327689-001		Reg. R.H. Money Wheel (VR-10)	1
212	74800-201	6104-087	Reg. R.H. Money Wheel VR-10/4)	2
213	315457-004	7650-303	Washer	3
214	See Item 107		Reg. Mid. & Left Quant. Wheel	4
215P	73154-016	4371-021	Pinion Shaft	6
216	327588-003		Reg. R.H. Quant. Wheel	1
218	33620-087	4018-010	Pointer Quantity	1
219	510500-330	5405-026	Pointer Screw	1
	510500-325	5471-419	Screw	2
220	405471-416	5471-416	Screw With Hole Thru Head	2
221	G77821-010	7247-004	Reset Slide Assy. (Includes Items 221-223)	1
222	511807-001	4010-007	Retaining Ring	2
223	7677-006	4048-003	Roller	2
224	77061-010	7247-004	Slide Bar (only)	1
	86704-006	2171-021	Shift Cam	1
	885005-281	6104-032	Washer	1
	11071-785	6171-037	Washer	1
				As Req.
				As Req.

ITEM NO.	U.S. PART NO.	U.K. PART NO.	DESCRIPTION	QUANTITY
225	510100-069	600-426	Groove Pin 1/8" x 3/4"	1
226	77062-015	7130-004	Rocker Shaft Assy.	1
227			Not Used	
228	510500-328	5471-175	Screw	2
229	86743-015		Left Hand Frame	1
230	310764-110	7771-369	Reg. Reset Gear Group	1
234	511810-001	4010-014	Retaining Ring	2
235	76764-007	3071-830	Idle Gear Group -Money	1
235A	11071-325	601-748	Washer .010"	As Req.
	11071-791		Washer .015"	As Req.
	11071-333	11071-333	Washer .020"	As Req.
236	11071-325	601-748	Washer .010"	1
236A	325961-001		Idle Gear Group -Quantity	1
236B	74800-535		Washer, Bowled	1
236C	11071-325	601-748	Washer .010"	2
245	510105-178		Groove Pin 1/8" x 11/16"	1
246	86662-006	2471-005	Left Center Coupling	1
247	74800-023	6104-178	Washer	1
249	77769-010	2401-008	Left Trip Coupling	As Req.
250	510105-182		Groove Pin	1
252	511807-001	4010-007	Retaining Ring	4
253	73154-016	4371-021	Transfer Pinion	1
254	327531-001		Pointer - Money, Rear (Domestic) (VR-10)	1
	326765-002		Pointer - Money, Rear (Domestic) VR-10/4)	1
	33620-087		Pointer - Money, Rear (Export)	1
255	884009-199		Spacer (VR-10)	1
	884009-185		Spacer (VR-10/4)	1
256	510500-378		Screw - Money Pointer (Domestic)	1
	510500-330	5405-026	Screw - Money Pointer (Export)	1

Thru-Shaft Rotary Reset Computer

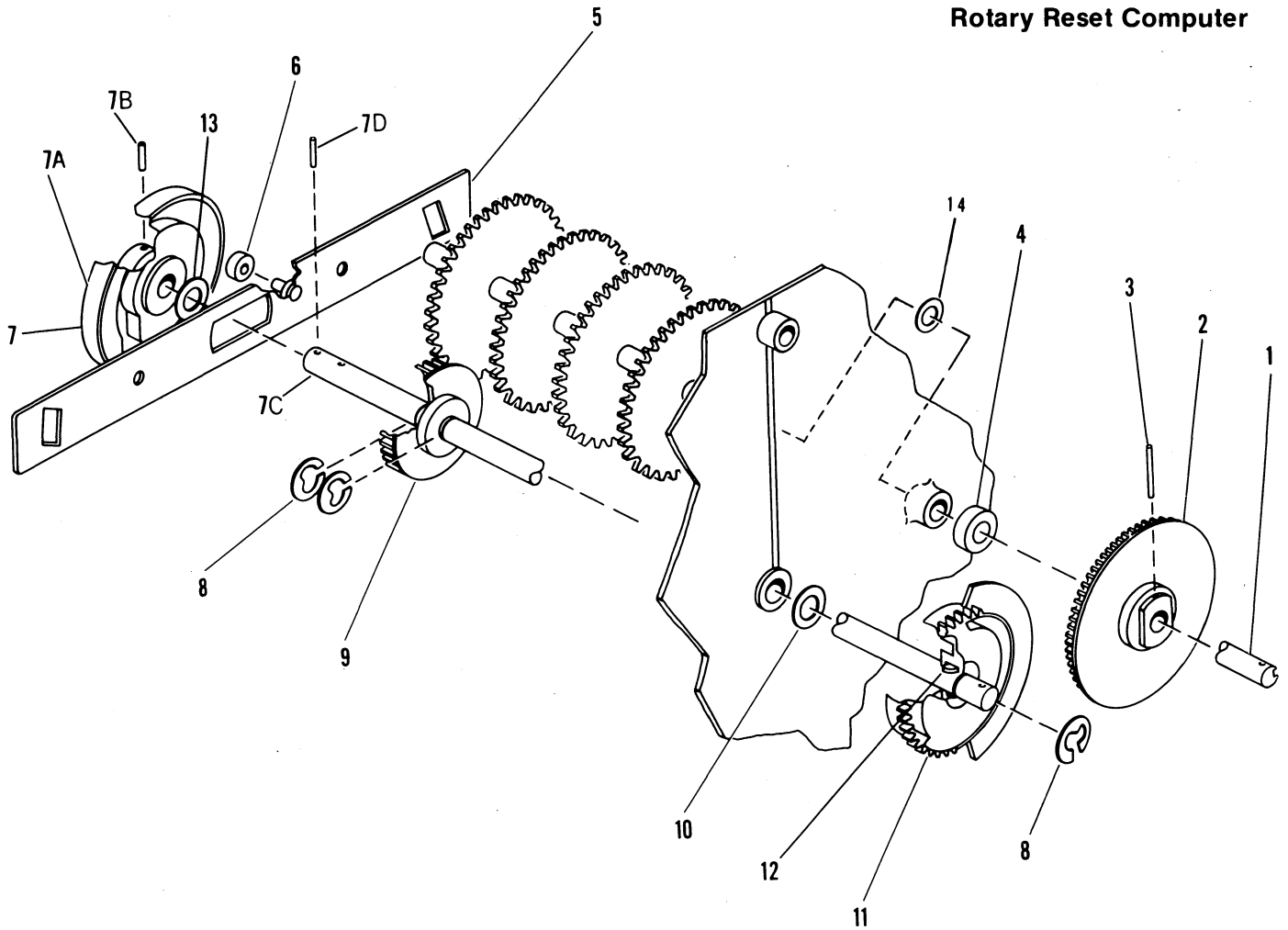


ITEM NO.	U.S. PART NO.	U.K. PART NO.	DESCRIPTION	QTY.
1	G315195-002		Rear Reset Shaft & Gear Group	1
2	311015-110	3006-129	Reset Gear	1
3	510120-002	4606-006	Groove Pin	1
4	11071-147	11071-147	Washer 5/16" x .045"	As Req.
	11071-361	11071-361	Washer (not shown)	As Req.
5	74800-258	6104-117	Washer	As Req.
	885005-281	6104-032	Washer	As Req.
6	314841-001	5171-337	Stud	3
7	77061-026	7247-008	Slide Bar Group	1
8	76774-006	4048-003	Roller	1
9	317739-001		Shift Cam	1
10	86662-006	2471-005	Coupling	1
11	510100-042	4606-044	Groove Pin	1
12	G318738-002		Front Reset Shaft Group (Inc. A & B & C)	1
12A	76751-005	3006-116	Reset Driven Gear	1
12B	510123-002	4606-041	Groove Pin	1

ITEM NO.	U.K. PART NO.	U.K. PART NO.	DESCRIPTION	QTY.
12C	317747-002		Front Reset Shaft	1
13	317746-003		Front Left & Mid. Reset Gears	3
14	317746-004		Front Right Reset Gear	1
15	G318737-002		Center Shaft Group (Inc. A & B & C)	1
15A	319551-002	3071-013	Idler Gear	1
15B	511816-001	4010-025	Retaining Ring	2
15C	317738-002		Center Shaft	1
16	G317743-003	601-993	Reset Gear Group	1
17	511816-001	4010-025	Retaining Ring	1
18	76751-005	3006-116	Reset Driven Gear	1
19	510123-002	4606-041	Groove Pin	1
20	11071-209	6104-059	Washer	1
21	510003-006	6105-019	Lockwasher	3
22	11071-183	6104-029	Washer	4
23	503619-001		Screw-Hex HD (1/4"-28)	1
24	11071-361	11071-361	Washer	As Req.

NOTE: Left side frame assembly 86743-15-075 (No Cam Stop).

Extended Center Shaft Rotary Reset Computer

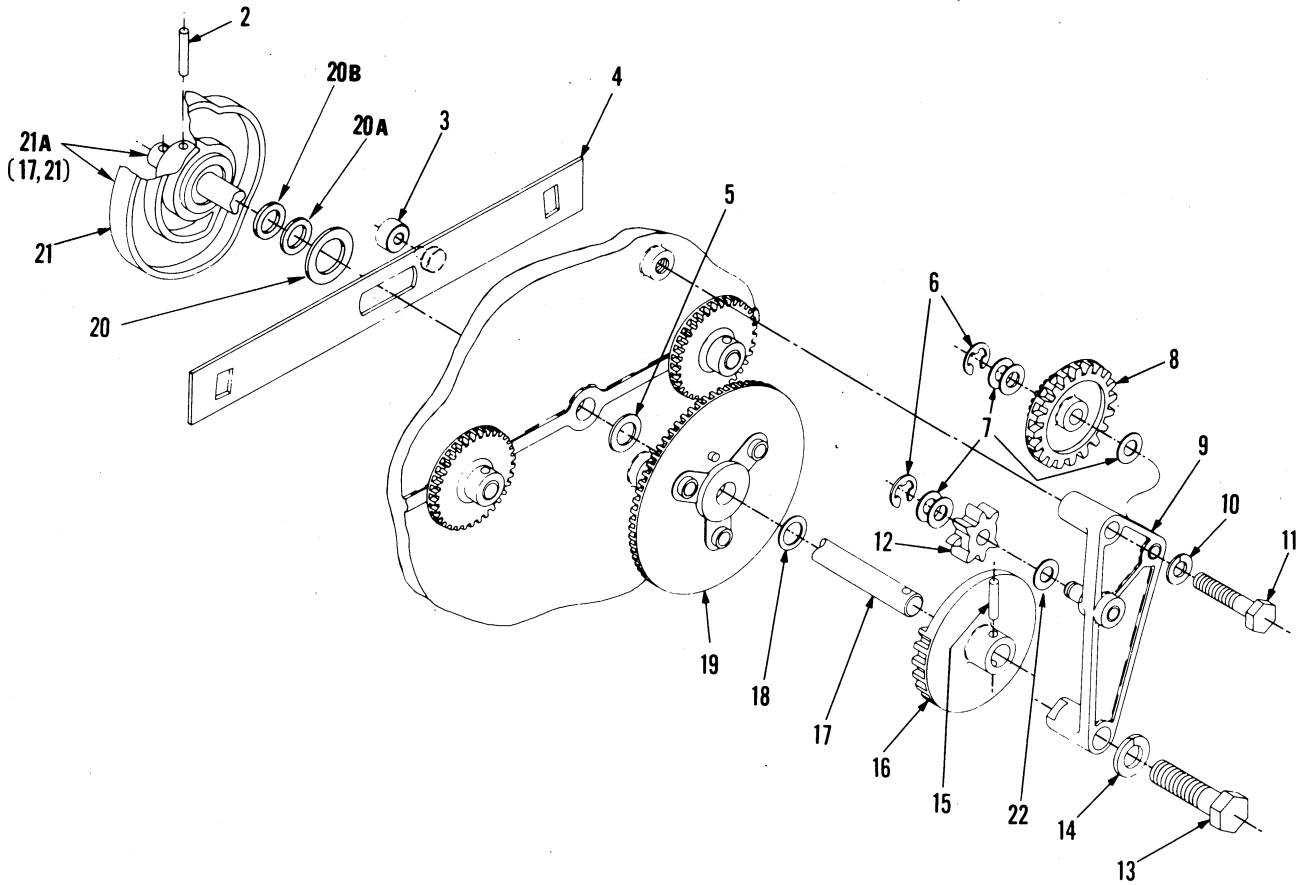


ITEM NO.	U.S. PART NO.	U.K. PART NO.	DESCRIPTION	QTY.
1	G311362-111	7778-526	Rear Reset Shaft & Gear Group	1
2	311015-110	3006-129	Reset Gear	1
3	510120-002	4606-006	Groove Pin 7/64" x 7/8"	1
4	27719-037	5371-077	Spacer	1
5	G77061-026	7247-008	Slide Bar Group	1
6	76774-006	4048-003	Roller	1
7	G311120-111		Center Shaft & Cam Group	1
7A	311016-110	2106-008	Shift Cam	1
7B	510119-002	4606-005	Groove Pin 7/64" x 3/4"	1

ITEM NO.	U.S. PART NO.	U.K. PART NO.	DESCRIPTION	QTY.
7C	311012-112		Center Shaft	1
7D	510105-140	600-261	Groove Pin 3/4" x 9/64"	1
8	511816-001	4010-025	Retaining Ring	3
9	319551-002	3071-013	Idler Gear	1
10	885005-281	6104-032	Washer .010"	1
11	311014-110		Reset Gear	1
12	311122-110	4602-064	Pin	1
13	11071-527		Washer .010"	As Req.
	74800-258	6104-117	Washer .031"	As Req.
14	11071-129	6104-012"	Washer	As Req.
	11071-126	6104-168	Washer	As Req.

NOTE: Left side frame assembly 86743-15-075 (No Cam Stop).

Tokheim Power Reset Components

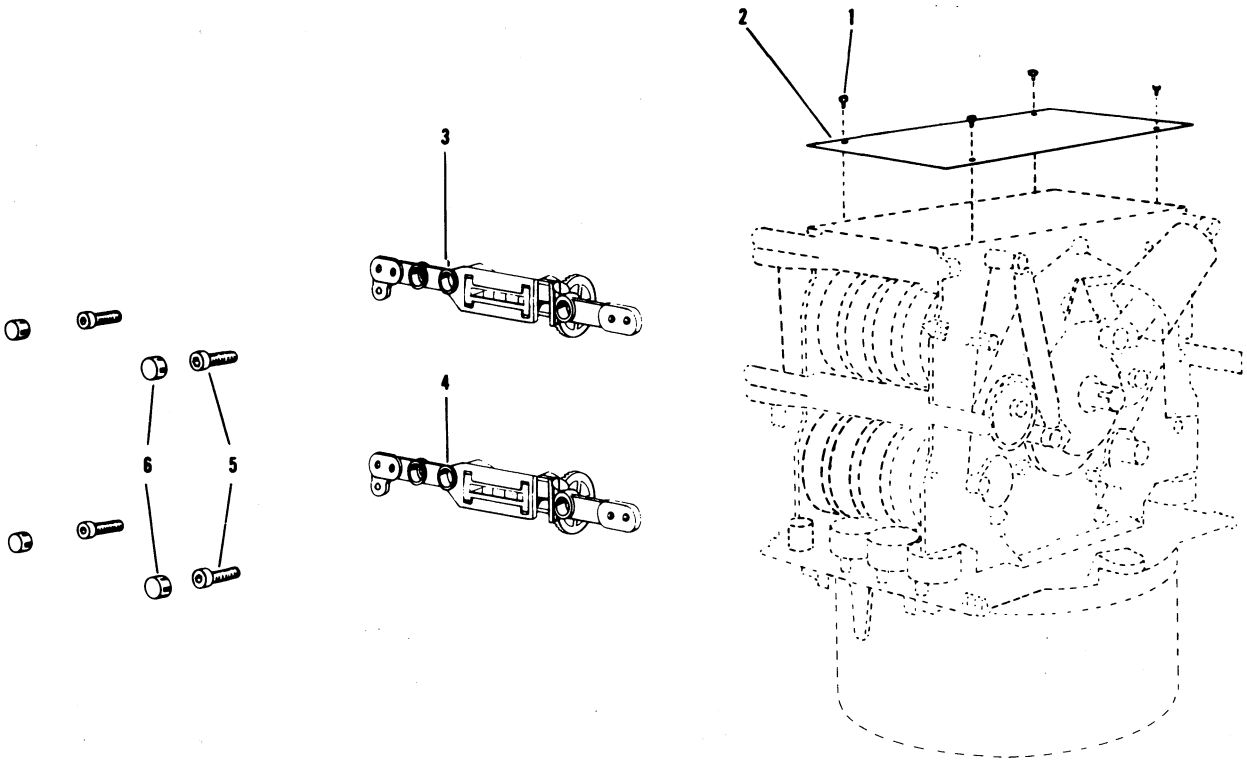


ITEM NO.	U.S. PART NO.	U.K. PART NO.	DESCRIPTION	QTY.
1			Deleted	
2	510105-178	4606-038	Groove Pin	1
3	76774-1-006	4048-003	Roller	1
4	G77061-5-026	7247-008	Shift Slide Group	1
5	11071-ED-253		Washer	1
6	511810-001	4010-014	Retaining Ring	2
7	11071-FN-325	601-748	Washer .010	As Req.
	11071-NU-803	601-148	Washer .005	As Req.
8	95167-1-005		Compound Gear	1
9	G95182-1-005		Bracket Assembly	1
10	510020-001	6105-010	Lockwasher	1
11	503305-005		1/4"-20 x 1-3/8" Lg. Hex Hd. Cap Screw	1
12	95168-1-005		Idler Gear	1

ITEM NO.	U.S. PART NO.	U.K. PART NO.	DESCRIPTION	QTY.
13	505018-001		3/8"-16 x 1-1/2" Lg. Hex Hd. Cap Screw	1
14	510023-001		3/8" Lockwasher	1
15	510100-102-042	4606-044	Groove Pin	1
16	95166-1-005	601-049	Drive Gear	1
17	86661-2-010	5571-113	Center Shaft (4 Wheel)	1
18	885005-281	6104-032	Washer	1
19	77001-2-010	600-258	Idler Gear	1
20	11071-DH-209	6104-059	Washer	2
20A	885005-281	6104-032	Washer	As Req.
20B	74800-108-258	6104-117	Washer	As Req.
21	95291-1-005	600-260	Shift Cam	1
21A	G316241-001		Shift Cam Shaft Grp.	1
22	11071-NU-803	601-148	Washer	1

NOTE: Left side frame assembly 86743-15-075 (No Cam Stop).
Right side frame assembly 322420-011 (Tapped for Bracket).

External Parts



ITEM NO.	U.S. PART NO.	U.K. PART NO.	DESCRIPTION	QUANTITY
1	510549-001	5405-013	Top Cover Screw	4
2	76915-010	2002-023	Top Cover	1
• 3	328005-010		Money Totalizer (VR-10)	1
	328005-020		Money Totalizer (VR10/4)	1
• 4	328005-026		Quantity Totalizer	1
5	510500-327	5471-174	Totalizer Screw	4
6	28698-060	1705-001	Totalizer Seal	4

- NOTE: Computers are normally equipped with mechanical money and quantity totalizers.
Please contact Sales Department for Description and Part Number of optional combined Pulsar / Totalizers.

For faster delivery of parts
please include this information
with your order:

- Serial number
- Part number and description

For ordering instructions and terms
and conditions of sale, refer to a current
Veeder-Root price list.



6th Avenue at Burns Crossing, P.O. Box 1673, Altoona, PA 16603-1673 Phone (800) 873-3313, Fax (800) 234-5350

BRAZIL: Sao Paulo • CANADA: Mississauga, Ontario • ENGLAND: Richmond Surrey • FRANCE: Rungis Cedex • GERMANY: Neuhausen/Filder • SINGAPORE: Singapore